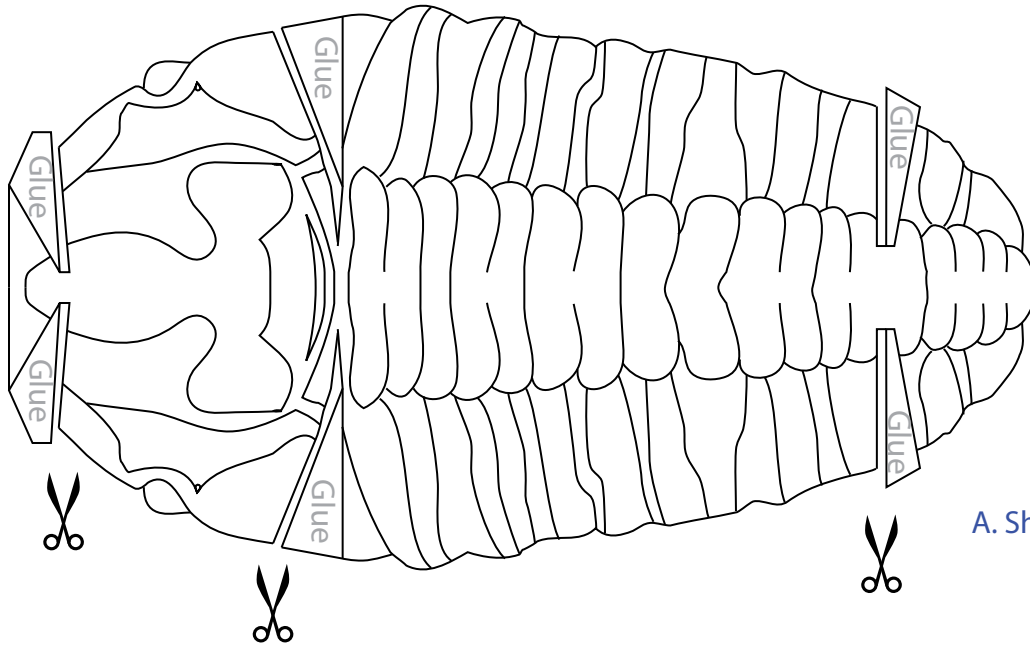
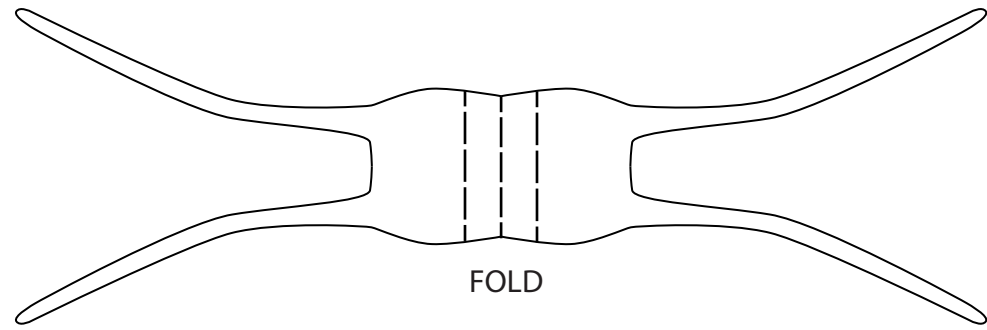


# Trilobite model



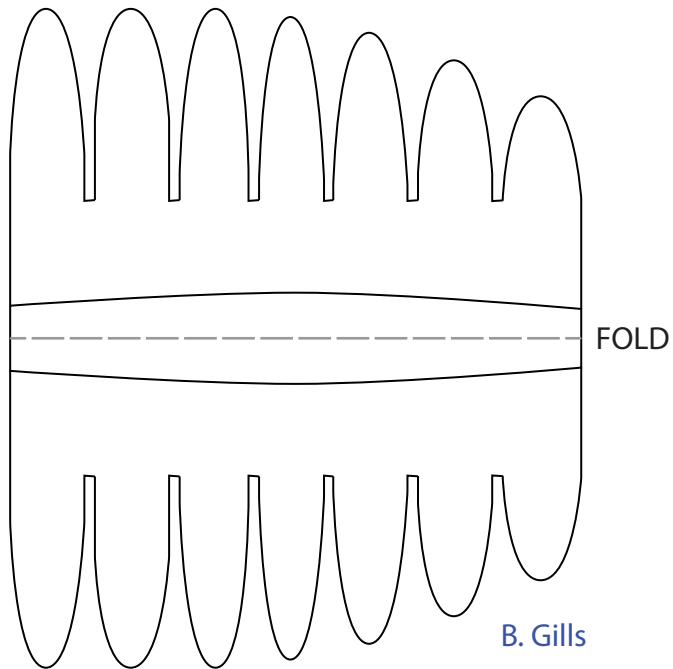
A. Shell (exoskeleton)



D. Antennae

FOLD

CUT OUT AROUND  
BLACK LINES



B. Gills

FOLD



The completed model

# Trilobite model



Trilobites were distantly related to crabs and lived in the sea from 526 million years ago until they became extinct 250 million years ago. There were many different species and 17 000 types of fossil trilobite have been found, ranging in size from only a few millimetres to more than half a metre in length. Many had excellent eyesight.

What you will need:



*Trilobites as they would have looked in life*

This model can be printed on A4 paper, but for best results print on light card at A3.

1. Cut around the 4 parts of the model — you may need to get an adult to help you
  - A. Shell (exoskeleton)
  - B. Gills
  - C. Legs
  - D. Antennae
2. **Shell:** Bend into slight curve and glue flaps to next part of body
3. **Antennae:** Fold along line, then glue to head end of shell
4. **Gills and legs:** Fold slightly along line and glue legs under gills
5. Glue gills and legs under the shell

